

Fencing System

Nautilus owns the patented fencing system for years. Nautilus has been engaging in developing value added fence products including multiple choices of panels, build-in LED solar light, slide-in fabric garden and power station.



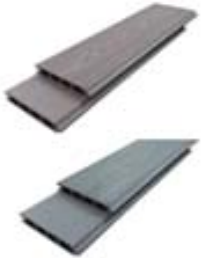
Patented Fence System



Fence with LED and powered by Solar Panel.



A1



Item No: WF-RJ06
 Product description: **Single extrusion WPC Fence panel**
 Surface treatment: one side sanded, one side embossed
 Size: 1770x150x21mm;
 Color: Chocolate / Grey
 Weight : 3.65kgs/pc

A2



Item No:WF-RJ06
 Product description: **single extrusion WPC Fence panel**
 Surface treatment: both side sanded
 Size: 1770x150x21mm;
 Color: Charcoal
 Weight : 3.65kgs/pc

B

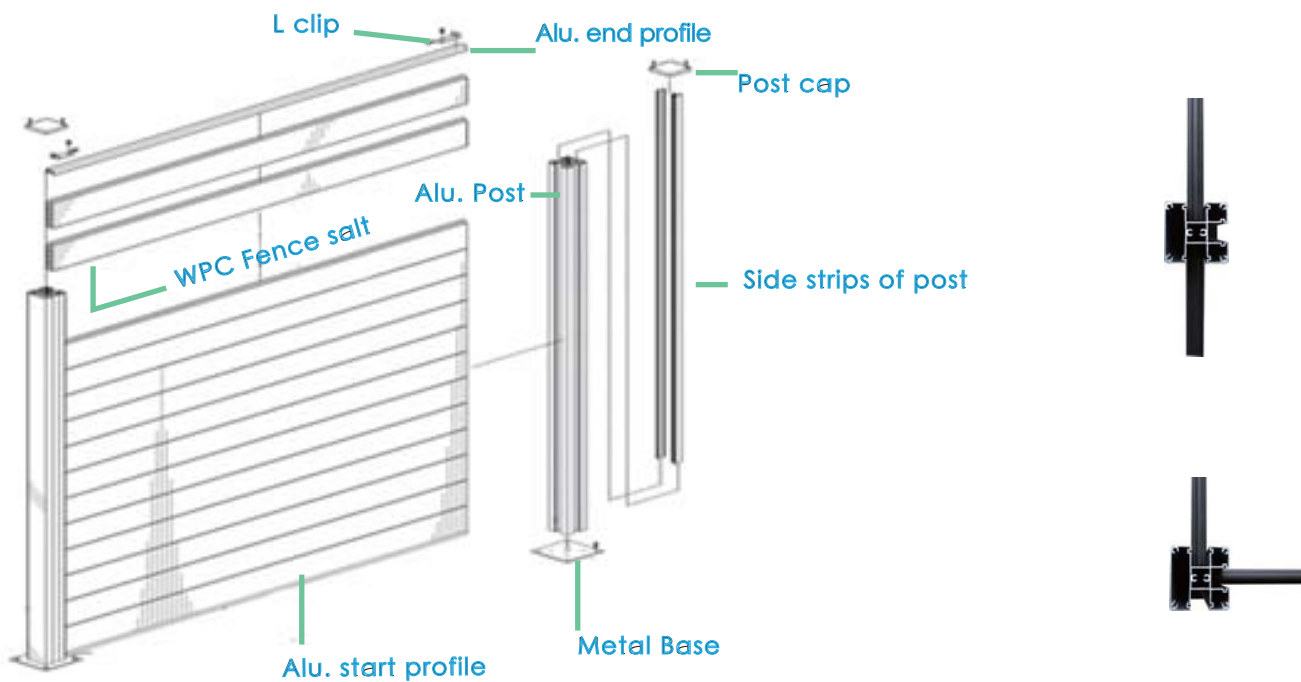


Item No: WF-RJ06
 Product description: **Co extrusion WPC Fence panel**
 Surface treatment: both side sanded
 Size: 1770x150x21mm;
 Color: Offwhite(Cool gray 7C)
 Weight : 3.50kgs/pc

C



Item No: RJ-FS180
 Product description: **PVC Fence panel**
 Surface treatment: extrusion
 Size: 1770x150x21mm;
 Color: cool gray or white
 Weight : 1.38kgs/pc



Item Des.	Base	L clip	Post Cap	L-clip Cover	Screw for base	Screw for Cap	Screw for L clip
Material	Steel	Stainless steel	Aluminum	PP	Stainless steel	Stainless steel	Stainless steel
Item Image							
QTY	1	2	1	2	8	2	4